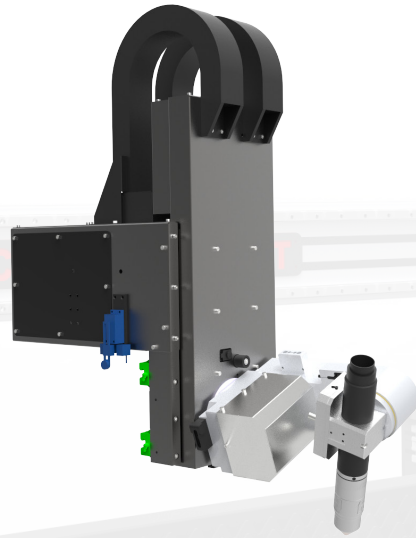




# CLEAR CUT

WORLD CLASS PLASMA TABLES

A product of Africa



## BEVEL ATTACHMENT

**BHA01**

**CAN BE  
FITTED TO**

FS ADVANCED

FX ADVANCED

**Bevel Head Attachment with True Bevel Technology.**

## Features

- True Bevel capable
- High accuracy & efficiency
- Supports up to 45 degrees welding angles - Y, K, A & V cut
- Ease of operation
- Compact, lightweight design
- Consistent bevel cutting
- Compatible with XPR
- Safety: X & Y limit switches, Emergency stop, Torch collision magnetic break-away

## Specifications

- TrueBevel software
- High torque Servo motors
- Controller: Edge Connect
- Advanced Harmonic Drive
- High precision linear guides
- Recommended tables: 4100x2100mm - 6000mm<x2500-3100mm
- Repeated Accuracy:  $\pm 0.05$ mm
- Plasma Range: HPRXD & XPR

**Hypertherm® OEM**

*Compatible with all Hypertherm Plasma Systems*

**CNC CLEAR CUT**